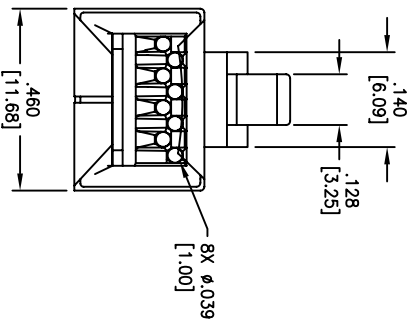
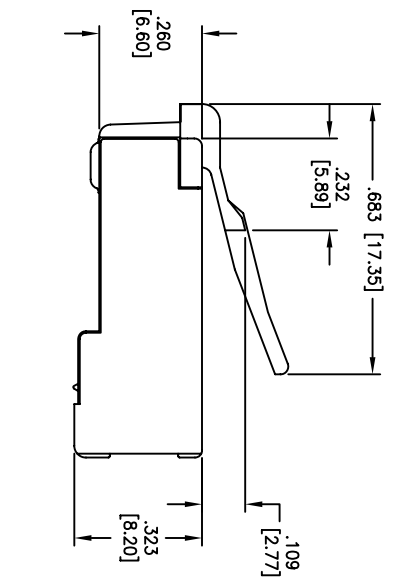
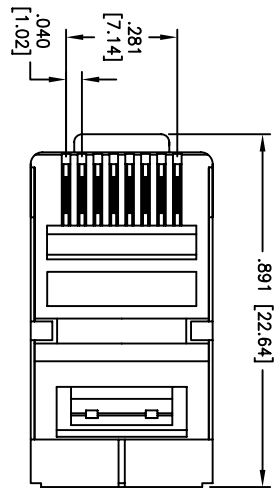


Rev	AWO #	Description	Date	Appr
-		RELEASED	4/17/07	

APPROVED: \_\_\_\_\_  
 DATE: \_\_\_\_\_ TITLE: \_\_\_\_\_



**SPECIFICATIONS:**

- Material: Insulator: Polycarbonate, rated UL 94V-0
- Insulator color: Clear
- Contacts: Phosphor Bronze
- Plating: 50 µin Gold over Nickel underplate overall
- Electrical: Operating voltage: 150 VAC max
- Current rating: 1.5 Amps max
- Insulation resistance: 1000 Mohms min @ 500 VDC
- Dielectric withstanding voltage: 1000 VAC for 1 minute
- Temperature Rating: Operating temperature: -65°C to +125°C
- Environmental: Lead free, RoHS compliant.



**ADAM TECH**

909 Rahway Avenue, Union, NJ 07083  
 Phone: 908-687-5000 Fax: 908-687-5710

MODULAR TELEPHONE PLUG, 8P8C  
 WITH INSERT, CATAGORY 6, EMI

UNLESS OTHERWISE SPECIFIED ALL DIMENSIONS ARE INCHES [MM]	
TOLERANCES: EXCEPT AS NOTED	
INCHES	HOLDS
.X ± .10	ØX ± .10
.XX ± .020	ØXXX ± .015
.XXX ± .015	ØXXX ± .010
APPROVALS	DATE
DRAWN BW	4/17/07
CHECKED	
APPROVED	

SIZE	PART NO.	REV.
X	MTP-88-G-EMI-C6	-
REF:	SCALE: NTS	SHEET 1 OF 1